

# Family datasheet

## Diablo Food




### Product description

Diablo Food is a compact 3-phase LED spotlight with integrated power supply and aluminum heatsink with 50,000 hours lifetime. Available in 3 power options with specialized spectra for food lighting (Bread, Meat Pink, Meat Vivid). Four light distribution types (15°, 24°, 36°, 60°) and DALI control option available. Ideal for food stores, restaurants and showrooms. 5-year warranty.

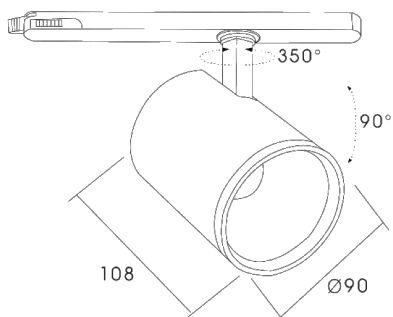
LED 220-240 V 50-60 Hz IP20   

### Technical description

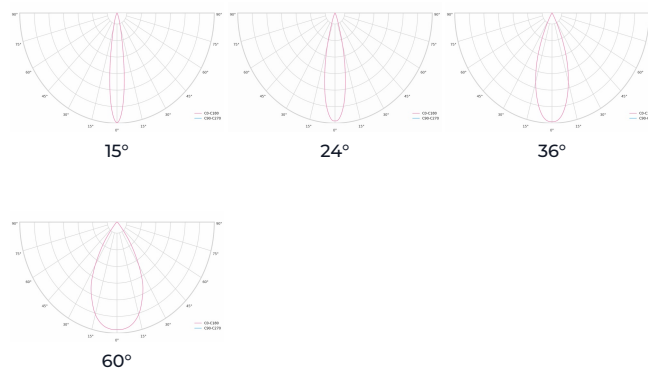
Mains voltage	220 - 240V AC, 50/60Hz
Connection method	3-phase track adapter
IP rating	20
Protection class	II
Light source	LED
Switching type	Non-dimmable , DALI
CCT	BR, MP, MV
Lumen output	1161-2992 lm
Efficiency	Up to 114 lm/W
Power consumption	13-27 W

Optical system	Lenses
Optical part material	PMMA
Housing material	Die-cast aluminium
Surface finish	Powder coated
Ambient temperature	0 to +25°C
Service lifetime (L80 B10)	50 000h
Warranty	5 years

### Dimensions



### Light distribution curves



## Available housing colors



RAL 9005



RAL 9003

## Product codes

The technical specifications of the luminaire are determined through the combination of these attributes, which result in a unique product code.

Order code example: DIABLOFD-L-BR-1-15-BL

Attribute	Value	Code
Model	Diablo Food	DIABLOFD-
Version	S	S
	M	M
	L	L
CCT	Meat Pink	MP
	Meat Vivid	MV
	Bread	BR
Dimming	Non-dimmable	1
	DALI	2
Light distribution	15°	15
	24°	24
	36°	36
	60°	60
Housing Color	Black	BL
	White	WH