

# Technical datasheet

## SQEA-S-840-1




### Product description

Square easy is a 595x595 mm LED panel with state-of-the-art LED technology and LED source with 50,000 hours lifetime. Available in 3 power options, color temperatures 3000K/4000K with CRI 80+. Steel body with PMMA diffuser for optimal light distribution and DALI control option available. Fully compatible with existing lighting infrastructure. Ideal for offices, halls and commercial spaces. 5-year warranty.

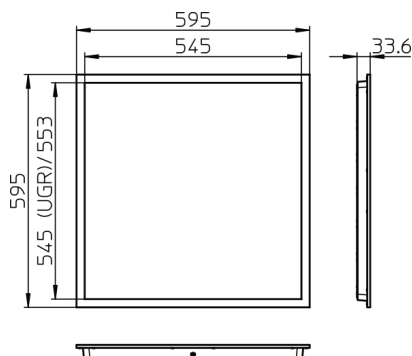
**LED** 220-240 V 50-60 Hz **IP20**   **UGR < 19** **CCT 4000 k** **CRI 80+**

### Product technical data

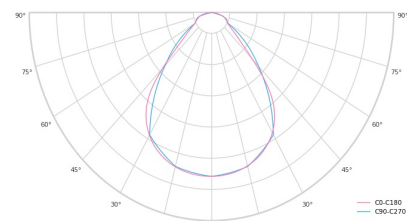
Mains voltage	220 - 240V AC, 50/60Hz
Connection method	Plug-in terminal
Dimming type	Non-dimmable
IP rating	20
Protection class	II
Ambient temperature	0 to +30 °C
Light source	LED
Colour temperature	4000k
Color rendering index	80
Rated luminous flux	3,520 lm
Connected load	22.00 W
Luminous efficacy	160.0 lm/W

Optical system	Diffuser
Optical part material	PMMA
Housing material	Steel
Surface finish	Powder coated
Service lifetime (L80 B10)	50 000 h
Warranty	5 years

### Dimensions



### Light distribution



## Optional products



Square Easy  
frame

Square springs  
Code: SQ Springs

Square  
suspension kit

---