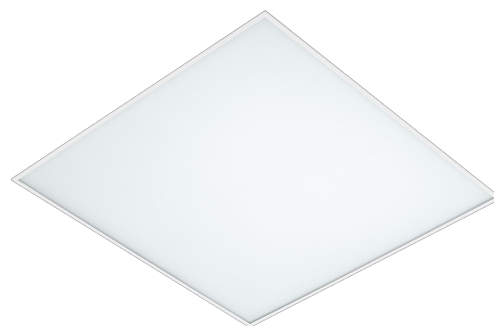


Technical datasheet

SQECO-59-840-1

Product description

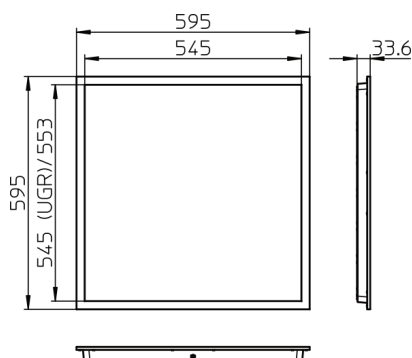
Square ECO is a 595x595 mm LED panel with state-of-the-art LED technology and LED source with 50,000 hours lifetime. Color temperature 4000K with CRI 80+ and luminous flux 4080 lm. Steel body with PMMA diffuser for optimal light distribution and DALI control option available. Fully compatible with existing lighting infrastructure. Ideal for offices, halls and commercial spaces. 5-year warranty.

LED 220-240 V IP20   UGR < 19 CCT 4000 k CRI 80+

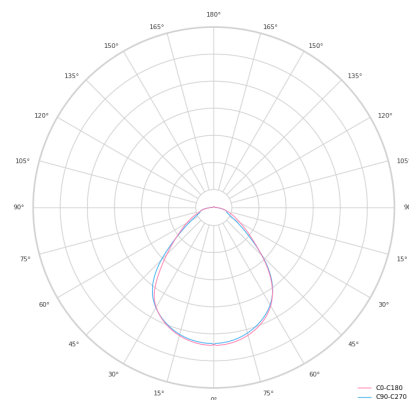
Product technical data

Mains voltage	220 - 240V AC, 50/60Hz	Optical system	Diffuser
Connection method	Plug-in terminal	Optical part material	PMMA
Dimming type	Non-dimmable	Housing material	Steel
IP rating	20	Surface finish	Powder coated
Protection class	II	Width	595.00 cm
Ambient temperature	0 to +30 °C	Height	26.00 cm
Light source	LED	Length	595.00 cm
Colour temperature	4000k	Weight	1.60 kg
Color rendering index	80	Service lifetime (L80 B10)	50 000 h
Rated luminous flux	4,080 lm	Warranty	5 years
Connected load	34.00 W		
Luminous efficacy	120.0 lm/W		

Dimensions



Light distribution



Optional products



Square Easy
frame

Square
suspension kit
