

Family datasheet

Diablo Food




Product description

Diablo Food is a compact 3-phase LED spotlight with integrated power supply and aluminum heatsink with 50,000 hours lifetime. Available in 3 power options with specialized spectra for food lighting (Bread, Meat Pink, Meat Vivid). Four light distribution types (15°, 24°, 36°, 60°) and DALI control option available. Ideal for food stores, restaurants and showrooms. 5-year warranty.

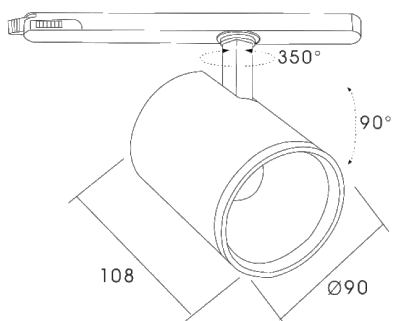
LED 220-240V 50-60Hz IP20   

Technical description

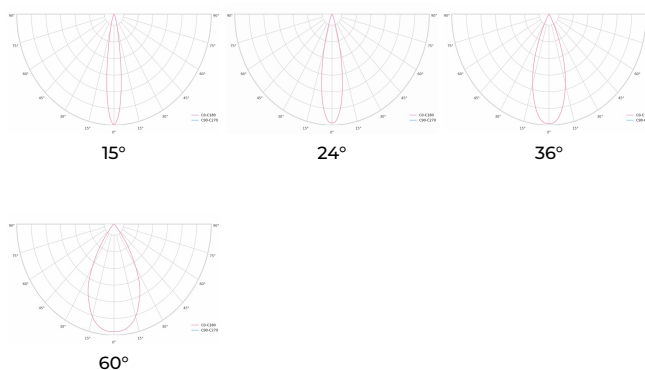
Mains voltage	220 - 240V AC, 50/60Hz
Connection method	3-phase track adapter
IP rating	20
Protection class	II
Light source	LED
Switching type	Non-dimmable, DALI
CCT	BR, MP, MV
Lumen output	1161-2992 lm
Efficiency	Up to 114 lm/W
Power consumption	13-27 W

Optical system	Lenses
Optical part material	PMMA
Housing material	Die-cast aluminium
Surface finish	Powder coated
Ambient temperature	0 to +25°C
Service lifetime (L80 B10)	50 000h
Warranty	5 years

Dimensions



Light distribution curves



Available housing colors



RAL 9005



RAL 9003

Product codes

The technical specifications of the luminaire are determined through the combination of these attributes, which result in a unique product code.

Order code example: **DIABLOFD-L-BR-1-15-BL**

Attribute	Value	Code
Model	Diablo Food	DIABLOFD-
Version	S	S
	M	M
	L	L
CCT	Meat Pink	MP
	Meat Vivid	MV
	Bread	BR
Dimming	Non-dimmable	1
	DALI	2
Light distribution	15°	15
	24°	24
	36°	36
	60°	60
Housing Color	Black	BL
	White	WH