

# Technical datasheet

## DIABLO-M-831-1-15-WH




### Product description

Diablo is a compact 3-phase LED spotlight with integrated power supply and aluminum heatsink with 50,000 hours lifetime. Available in 3 power options, wide range of color temperatures (2700K-4000K) with CRI 80+/90+. Four light distribution types (15°, 24°, 36°, 60°) and DALI control option available. Ideal for commercial spaces, showrooms and households. 5-year warranty.

**LED** 220-240V  
50-60Hz
**IP20**



**CCT**  
**3100 K**
**CRI**  
**80+**

### Product technical data

**Mains voltage** 220 - 240V AC, 50/60Hz  
**Connection method** 3-phase track adapter  
**Dimming type** Non-dimmable

**IP rating** 20  
**Protection class** II  
**Ambient temperature** 0 to +25 °C

**Light source** LED  
**Colour temperature** 3100k  
**Color rendering index** 80  
**Rated luminous flux** 2,760 lm  
**Connected load** 19.11 W  
**Luminous efficacy** 144.4 lm/W

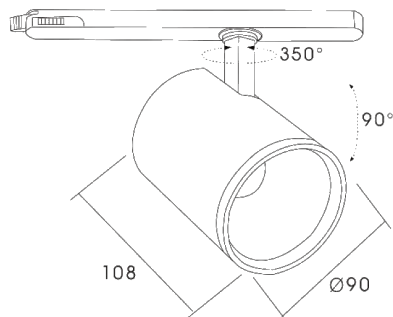
**Ripple** 5 %  
**Inrush current** 7 A  
**Inrush time** 28 µs

**Optical system** Lenses  
**Optical part material** PMMA  
**Housing material** Die-cast aluminium  
**Surface finish** Powder coated

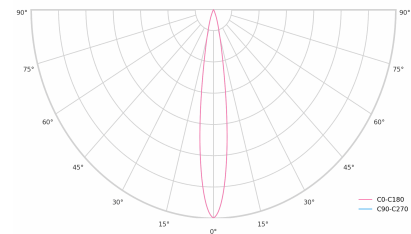
**Height** 132.00 cm  
**Diameter** 90.00 cm  
**Weight** 0.80 kg

**Service lifetime (L80 B10)** 50 000 h  
**Warranty** 5 years

### Dimensions



### Light distribution



**Optional products**



PRO-0410



PRO-0420



PRO-0431L



PRO-0431R



PRO-0432



PRO-0433



PRO-0434



PRO-0437



PRO-04SK



PRO-D680-B



PRO-D680-W



PRO-EZ0449



PRO-EZ0450



PRO-M435



PRO-M436



PRO-M438



PRO-MD636L



PRO-MD638