

# Technical datasheet

## DIABLO-L-931-1-24-BL




### Product description

Diablo is a compact 3-phase LED spotlight with integrated power supply and aluminum heatsink with 50,000 hours lifetime. Available in 3 power options, wide range of color temperatures (2700K-4000K) with CRI 80+/90+. Four light distribution types (15°, 24°, 36°, 60°) and DALI control option available. Ideal for commercial spaces, showrooms and households. 5-year warranty.

**LED**    220-240V  
50-60Hz    **IP20**                **CCT**  
**3100 K**    **CRI**  
**90+**

### Product technical data

**Mains voltage**                    220 - 240V AC, 50/60Hz  
**Connection method**            3-phase track adapter  
**Dimming type**                    Non-dimmable

**IP rating**                            20  
**Protection class**                II  
**Ambient temperature**        0 to +25 °C

**Light source**                      LED  
**Colour temperature**            3100k  
**Color rendering index**        90  
**Rated luminous flux**            3,479 lm  
**Connected load**                27.50 W  
**Luminous efficacy**              126.5 lm/W

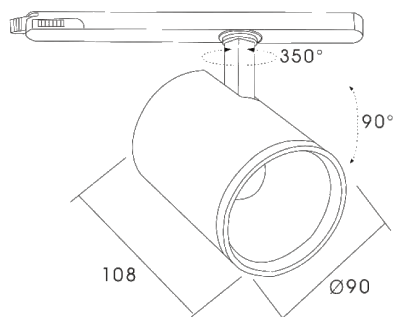
**Ripple**                              5 %  
**Inrush current**                 7 A  
**Inrush time**                    28 µs

**Optical system**                    Lenses  
**Optical part material**         PMMA  
**Housing material**                Die-cast aluminium  
**Surface finish**                    Powder coated

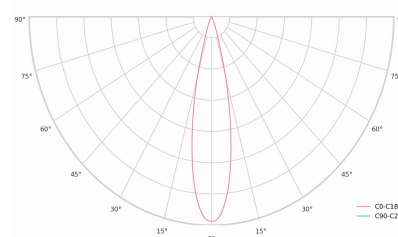
**Height**                              132.00 cm  
**Diameter**                        90.00 cm  
**Weight**                            0.80 kg

**Service lifetime (L80 B10)**    50 000 h  
**Warranty**                         5 years

### Dimensions



### Light distribution



### Optional products



PRO-0410



PRO-0420



PRO-0431L



PRO-0431R



PRO-0432



PRO-0433



PRO-0434



PRO-0437



PRO-04SK



PRO-D680-B

PRO-D680-W

PRO-EZ0449



PRO-EZ0450



PRO-M435



PRO-M436



PRO-M438



PRO-MD636L

PRO-MD638