

# Technical datasheet

## DIABLO-S-935-1-15-WH




### Product description

Diablo is a compact 3-phase LED spotlight with integrated power supply and aluminum heatsink with 50,000 hours lifetime. Available in 3 power options, wide range of color temperatures (2700K-4000K) with CRI 80+/90+. Four light distribution types (15°, 24°, 36°, 60°) and DALI control option available. Ideal for commercial spaces, showrooms and households. 5-year warranty.

**LED**    220-240V  
50-60Hz    **IP20**                **CCT**  
3500 K    **CRI**  
90+

### Product technical data

**Mains voltage**                    220 - 240V AC, 50/60Hz  
**Connection method**            3-phase track adapter  
**Dimming type**                    Non-dimmable

**IP rating**                            20  
**Protection class**                II  
**Ambient temperature**        0 to +25 °C

**Light source**                      LED  
**Colour temperature**            3500K  
**Color rendering index**        90  
**Rated luminous flux**            1,823 lm  
**Connected load**                13.58 W  
**Luminous efficacy**              134.3 lm/W

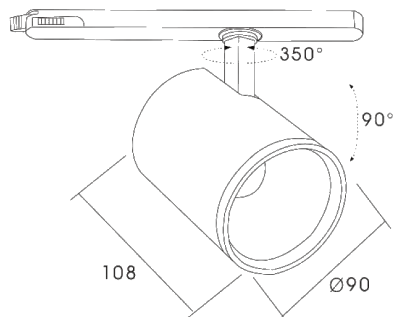
**Ripple**                                5 %  
**Inrush current**                    7 A  
**Inrush time**                        28 µs

**Optical system**                    Lenses  
**Optical part material**           PMMA  
**Housing material**                Die-cast aluminium  
**Surface finish**                    Powder coated

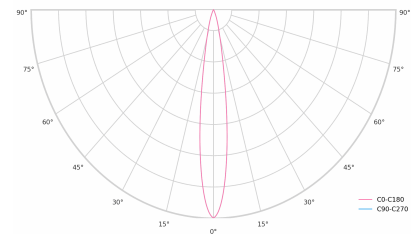
**Height**                                132.00 cm  
**Diameter**                          90.00 cm  
**Weight**                                0.80 kg

**Service lifetime (L80 B10)**    50 000 h  
**Warranty**                            5 years

### Dimensions



### Light distribution



**Optional products**



PRO-0410



PRO-0420



PRO-0431L



PRO-0431R



PRO-0432



PRO-0433



PRO-0434



PRO-0437



PRO-04SK



PRO-D680-B



PRO-D680-W



PRO-EZ0449



PRO-EZ0450



PRO-M435



PRO-M436



PRO-M438

PRO-MD636L

PRO-MD638