

Technical datasheet

LUKA-S-722-1-C15021



Product description

Luka emits reliably efficient light on traffic roads and industrial areas to support safety and security outdoors. The smart function also offers a range of smart city functions.



LED 220-240V 50-60Hz **IP66**  **CE** **CCT 2200 k** **CRI 70+** **CLO** 

Product technical data

Mains voltage 220 - 240V AC, 50/60Hz
Connection method Connection cable
Dimming type Non-dimmable

IP rating 66
Protection class I
Ambient temperature -40 to +40 °C

Light source LED
Colour temperature 2200k
Color rendering index 70
Rated luminous flux 2,854 lm
Connected load 26.03 W
Luminous efficacy 109.7 lm/W

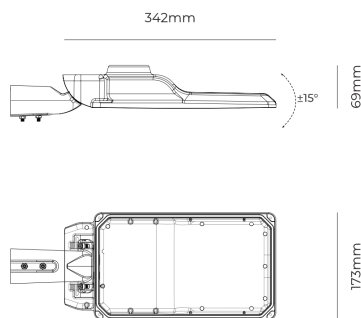
Ripple 3 %
Inrush current 46 A
Inrush time 728 μs

Optical system Lenses
Optical part material Hardened glass
Housing material Die-cast aluminium
Surface finish Powder coated

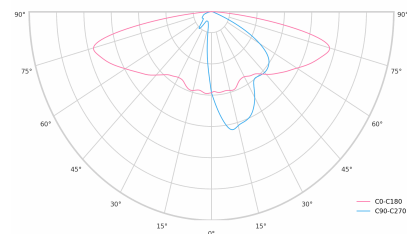
Width 173.00 cm
Height 69.00 cm
Length 342.00 cm
Weight 5.00 kg

Service lifetime (L80 B10) >100 000 h
Warranty 5 years

Dimensions



Light distribution



Constant Light Output (CLO)

This system compensates for the depreciation of luminous flux to avoid excess lighting at the beginning of the installation's service life. Luminous depreciation over time must be taken into account to ensure a predefined lighting level during the luminaire's useful life.

Without a CLO feature, this simply means increasing the initial power upon installation in order to make up for luminous depreciation. By precisely controlling the luminous flux, the energy needed to reach the required level can be maintained throughout the luminaire's life.



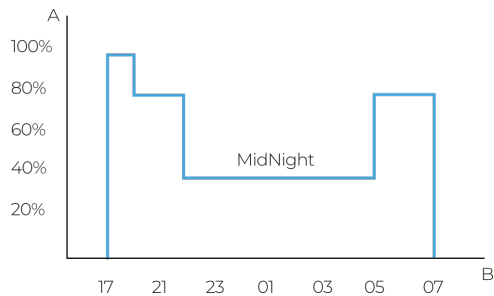
A. Dimming level
B. Time

MidNight function

The MidNight function feature allows an autonomous dimming without the need for an additional control line. The output levels can be set to 0% (OFF) or between 10% and 100% in steps of 1%

Time-based: The dimming profile defined in the reference schedule is referenced to the switch on time of the LED driver.

Astro-based: The dimming profile defined in the reference schedule is referenced to the annual average middle of the night, which is calculated based on the theoretical sunrise and sunset times.



1. Standard lighting level
2. LED lighting consumption with CLO
3. Energy savings